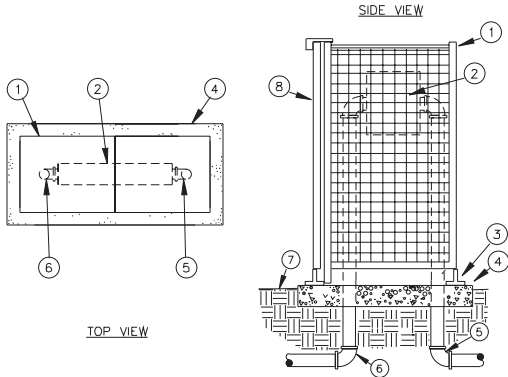


Backflow Cover

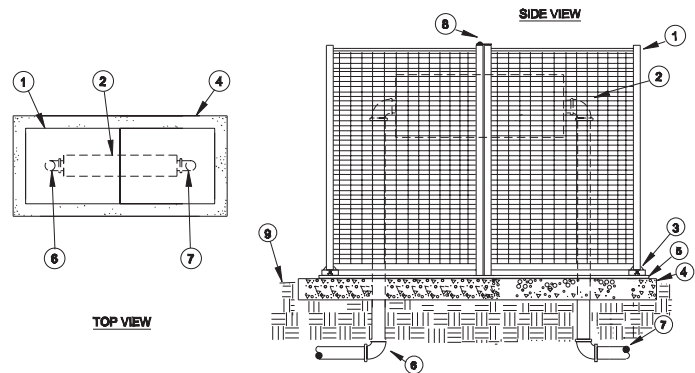
Models: SBBC-20SS, SBBC-40SS, SBBC-75SS

INSTALLATION DETAILS



SBBC-20SS

1. Smooth Touch Backflow Cover
2. Backflow Preventer
3. Anchor Plates (typical)
4. Poured Concrete Base – 6" minimum thickness – extend 4" beyond outside dimensions of enclosure
5. Water Service Inlet Piping
6. Water Service Outlet Piping
7. Finish Grade
8. Removable Locking End



SBBC-40SS, SBBC-75SS

1. Smooth Touch Backflow Cover
2. Backflow Preventer
3. Secured Swivel Mounting Plates
4. Poured Concrete Base – 6" minimum thickness – extend 4" beyond outside dimensions of enclosure
5. SBBC Mounting Base – fastened or anchor bolted to concrete
6. Water Service Outlet Piping
7. Water Service Inlet Piping
8. Padlock Locking Hasp
9. Finish Grade

SPECIFICATIONS

The backflow enclosure shall be of a vandal resistant nature manufactured of formed stainless steel tubing and rod to prevent handling injury. The locking mechanism and mounting hardware shall be manufactured entirely of stainless steel. The frame of the enclosure shall be constructed of one and one quarter inch tubing. The top sides, and end panels shall be construct-

ed of rod welded together forming a one by two inch rectangular pattern. The vertical rod shall be three sixteenths and horizontal rod shall be one eighth inch thick. The SBBC-20SS shall have inner door on one end to provide entry with covered padlock at top of door for security. The SBBC-40SS and SBBC-75SS shall be clam shell design with padlock hasp on to

where two pieces join in the closed position. Enclosure ends shall have a mounting lip on each side which attaches to mounting which is submerged into concrete. Enclosure shall be positioned one and one half inches above concrete to allow for drainage. Vandal proof brackets shall be installed during installation.