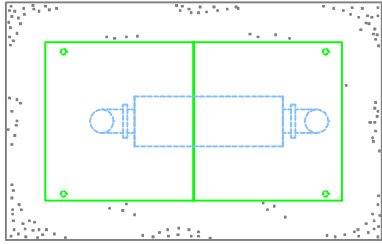
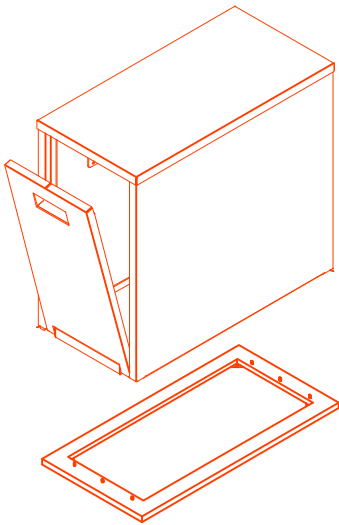


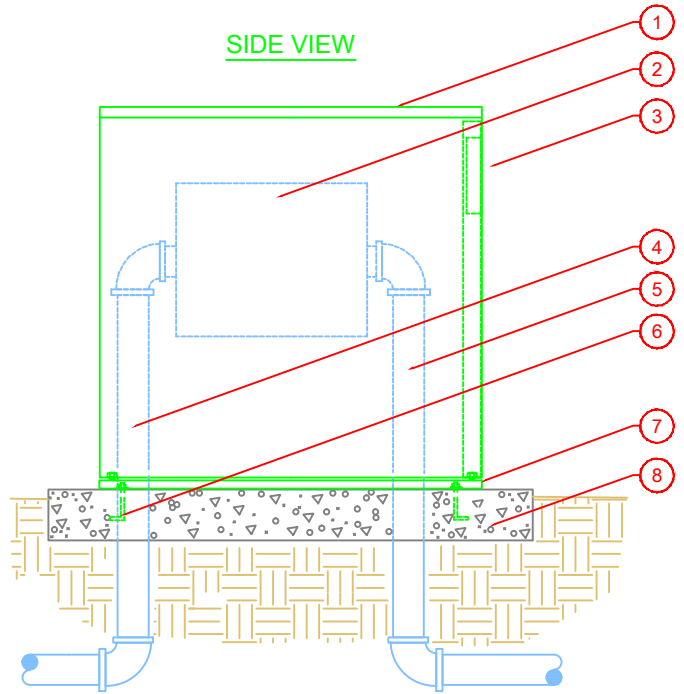
STRONGBOX
ALUMINUM LOW PROFILE



TOP VIEW



ISO VIEW



SIDE VIEW

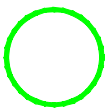
BACKFLOW ANCHOR BASE.

MOUNTING BASE SECURED IN CONCRETE WITH
 $\frac{3}{8}$ " J BOLTS (4 PLACES).

EXISTING CONCRETE CORNERS WILL NEED TO
 $\frac{3}{8}$ " x 3" REDHEAD ANCHORS.

LEGEND

- | | |
|---|--|
| 1. ALUMINUM BACKFLOW ENCLOSURE. | 6. $\frac{3}{8}$ " "L" STYLE ANCHOR BOLTS. |
| 2. BACKFLOW PREVENTER. | 7. ANCHOR PLATE MOUNTING. |
| 3. HINGED DROP DOWN DOOR, PADLOCK AT TOP. | 8. POURED CONCRETE BASE - 6"
MIN. THICKNESS - EXTEND 4"
BEYOND OUTSIDE DIMENSIONS OF
ENCLOSURE. |
| 4. WATER SERVICE INLET PIPING. | |
| 5. WATER SERVICE OUTLET PIPING. | |



ALUMINUM BACKFLOW ENCLOSURE LOW PROFILE

N.T.S

SBBC-xxAL