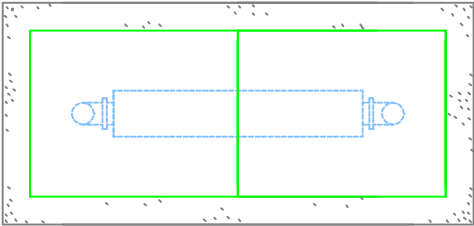
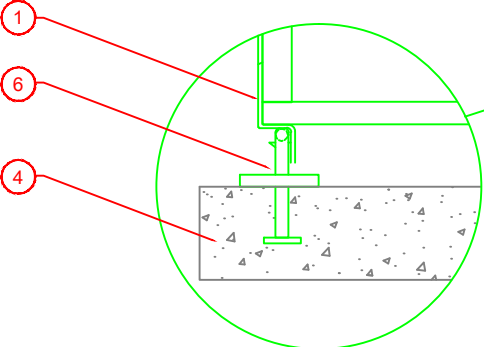
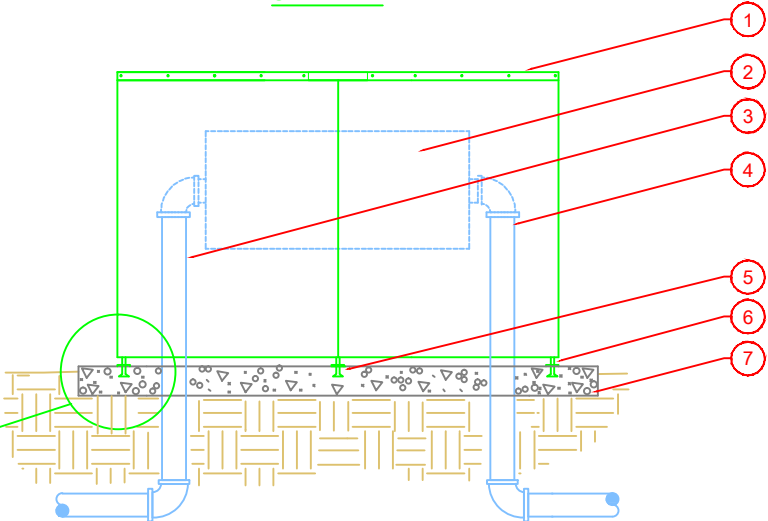


STRONGBOX
ALUMINUM HIGH PROFILE



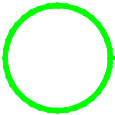
TOP VIEW

SIDE VIEW



LEGEND

- | | |
|---------------------------------|---|
| 1. ALUMINUM BACKFLOW ENCLOSURE. | 5. SUPPORT ROD (TYPICAL). |
| 2. BACKFLOW PREVENTER. | 6. ANCHOR ROD (TYPICAL). |
| 3. WATER SERVICE INLET PIPING. | 7. POURED CONCRETE BASE. - 6" MINIMUM THICKNESS - EXTEND 4" BEYOND OUTSIDE DIMENSIONS OF ENCLOSURE. |
| 4. WATER SERVICE OUTLET PIPING. | |



ALUMINUM 2 PIECE BACKFLOW ENCLOSURE

N.T.S.

SBBC-ALHP