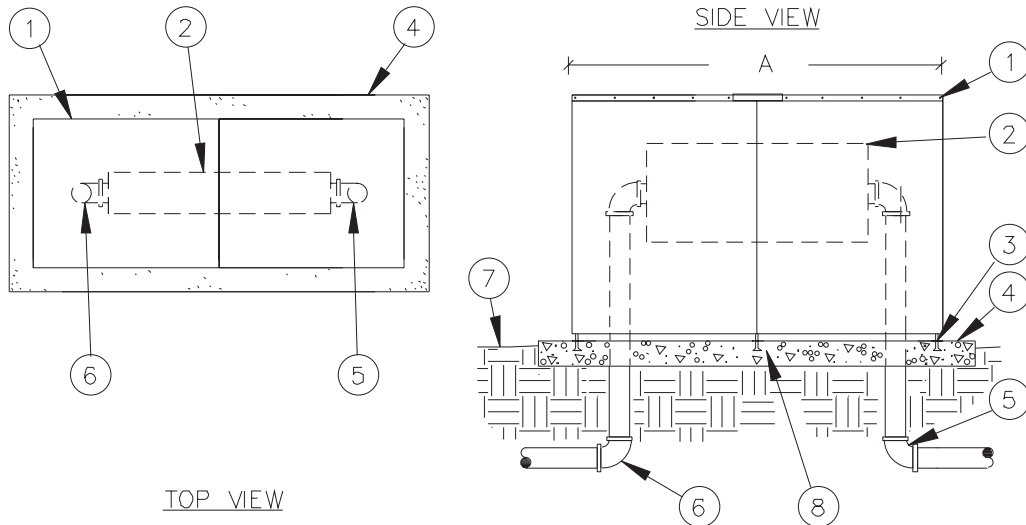


Backflow Enclosure

**Models: SBBC-40ALHP, SBBC-40WALHP,
SBBC-60ALHP, SBBC-75ALHP,
SBBC-90ALHP**

INSTALLATION DETAILS



- 1. Aluminum Backflow Enclosure
- 2. Backflow Preventer
- 3. Anchor Rod (typical)
- 4. Poured Concrete Base – 6” minimum thickness – extend 4” beyond outside dimensions of enclosure

- 5. Water Service Inlet Piping
- 6. Water Service Outlet Piping
- 7. Finish Grade
- 8. Support Rod (typical)

SPECIFICATIONS

The backflow enclosure shall be of a vandal and weather resistant nature manufactured entirely of marine grade aluminum alloy 5052-H32, with a wall thickness of one eighth inch. The mounting base shall be manufactured entirely of stainless steel. The main housing shall be of solid sheet construction punched on the sides with a

rectangular pattern for viewing backflow operation. The enclosure shall be a center split design, having mounting lips on each end. The mounting base shall be submerged into the concrete a minimum of two inches, positioning the enclosure one and one half inches above the concrete for drainage purposes. The locking

mechanism shall be of the full release type which allows for complete removal of the enclosure from its mounting base without the use of tools. The locking mechanism shall be a Stainless Steel Cross Bar style and provide for a padlock.