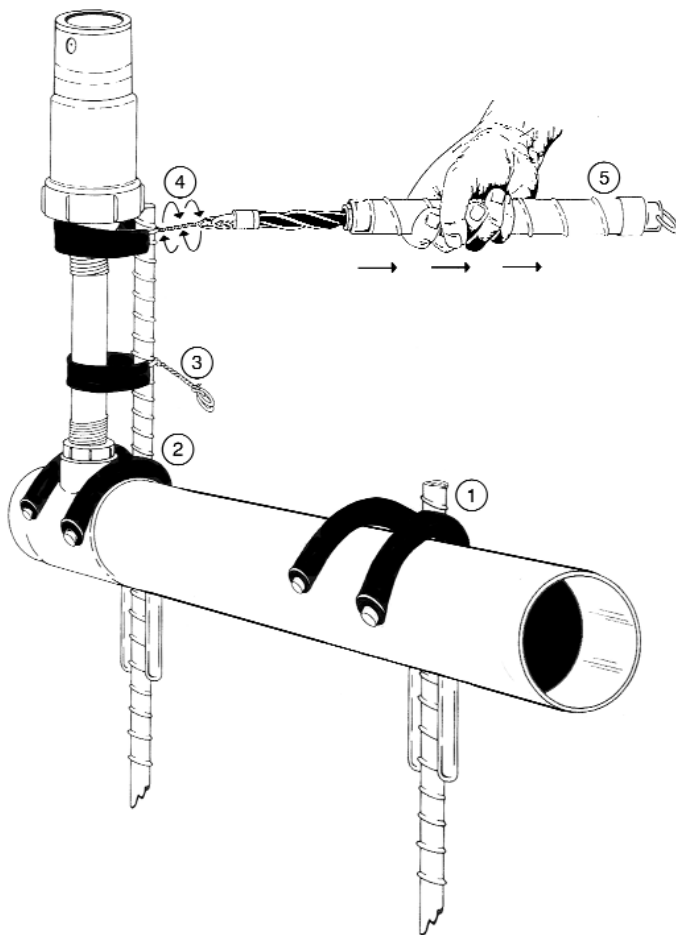


Stabilizers and Sprinkler Ties



1. Pipe Stabilizer – 12", 18", 24"
2. Sprinkler Stabilizer – 18" 24"
3. ST-9 Sprinkler Tie – 9"
4. ST-12 Sprinkler Tie – 12"
5. Ratchet Tool – Automatic Twister

SPECIFICATIONS

Pipe Stabilizer- Used in between sprinkler heads to control movement of the pipe. The vertical striking area provides good penetration in even the toughest soils and minimizes the above ground exposure. Since the hammer only touches the vertical metal the rounded J hook is untouched and damage is avoided. Vinyl covered J hooks shall protect the pipe from damage.

Sprinkler Stabilizer- Used to secure pipe and sprinkler heads to prevent movement, vandalism and damage. The vertical metal provides area to drive the stabilizer into the soil. The vinyl covered J hooks secure the pipe to the ground while the steel shaft at the top gives the sprinkler head additional support.

Sprinkler Ties- Used to secure the sprinkler to the Sprinkler Stabilizer. The unique design allows fast installation while producing a

strong bond between the stake and the sprinkler head. The stainless steel wire and the vinyl covering produces a secure solution to attaching sprinklers to the stakes.

Ratchet Tool- Installation tool providing a solid grip. Attach the Ratchet Tool hook into the eyelets of the Sprinkler Tie and pull back. The twisting action is unique to the tool. This secures the sprinkler against the stake. The Ratchet Tool is designed to spin wires to tighten.