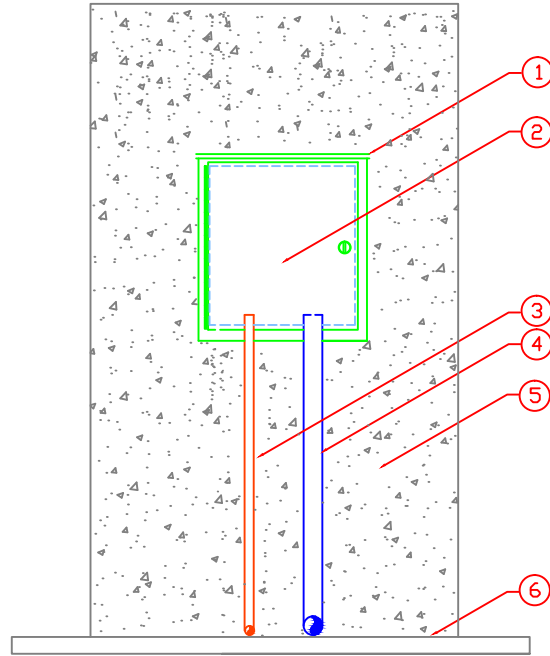
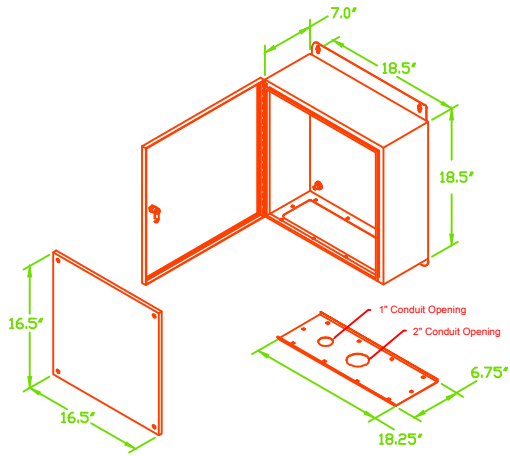
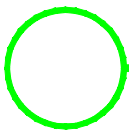


STRONGBOX LIGHT DUTY
WALLMOUNT



LEGEND

- | | |
|--|--|
| <p>1. LIGHT DUTY WALLMOUNT
CONTROLLER ENCLOSURE.
PART NOS. LD-18SW</p> <p>2. LD HINGED DOOR, GASKETED WITH
KEYED CAM FOR DOOR LOCK.</p> <p>3. 120-VOLT SERVICE IN CONDUIT.</p> | <p>4. PVC CONDUIT OUT TO CONTROL VALVES</p> <p>5. WALL FOR MOUNTING CONTROLLER
SHOULD BE CONCRETE, BLOCK OR
WOOD. WALL MOUNT ENCLOSURES
WEIGHT IN EXCESS 50 LBS.</p> <p>6. FINISH GRADE.</p> |
|--|--|



LIGHT DUTY WALL MOUNT CABINET

N.T.S.